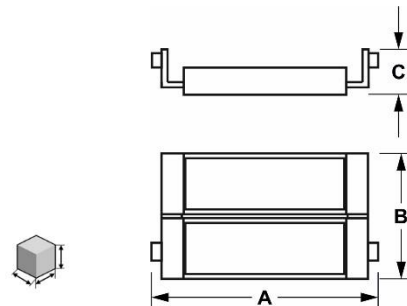


MADOR



NAŚWIETLACZ LED

*Z: veď sv etlomet / SK: vedie svetlomet / EN: LED floodlight



INDEX



PF



A [mm]

B [mm]

C [mm]



	INDEX	ABC	Power	Light 1	Light 2	Beam	PF	Tc[K]	Beam	A [mm]	B [mm]	C [mm]	Barcode
A	012940	MADOR LED	50W	6 500 lm	130lm/W	70°×140°	≥0,95	4000 K	Szary �ed�a �ed�a Grey	350	75	75	5902216798946
A	012941	MADOR LED	50W	6 500 lm	130lm/W	70°×140°	≥0,95	5500 K		350	75	75	5902216798953
A	013334	MADOR LED	50W	6 500 lm	130lm/W	90°	≥0,95	4000 K		350	75	75	5902808800996
B	012598	MADOR LED	100W	13 000 lm	130lm/W	70°×140°	≥0,95	4000 K		350	155	75	5902216796966
B	012937	MADOR LED	100W	13 000 lm	130lm/W	70°×140°	≥0,95	5500 K		350	155	75	5902216798960
B	013920	MADOR LED	100W	13 000 lm	130lm/W	70°×140°	≥0,95	5500 K		350	155	75	5902216700567
C	006958	MADOR LED	200W	23 600 lm	118lm/W	70°×140°	≥0,95	2700 K		350	315	75	5902808807728
C	012938	MADOR LED	200W	26 000 lm	130lm/W	70°×140°	≥0,95	4000 K		350	315	75	5902216798977
C	012939	MADOR LED	200W	26 000 lm	130lm/W	70°×140°	≥0,95	5500 K		350	315	75	5902216798984
C	013332	MADOR LED	200W	26 000 lm	130lm/W	90°	≥0,95	4000 K		350	315	75	5902808801009
C	013333	MADOR LED	200W	26 000 lm	130lm/W	90°	≥0,95	5500 K		350	315	75	5902808801016



AC 230V

SMD3030

IN&OUT



IK

IP



≥80

08

65



Uwagi / Koment ar / Koment are

PL: Zasilacz w komplecie

CZ: Nap ajen ı je sou ast ı dod avky

SK: Nap ajanie je s u astou dod avky

Materi al / Materi al / Materi al

PL: aluminium

CZ: hlin ık

SK: hlin ık

EN: aluminum

Optymalne warunki eksploatacji:

Optim aln ı provozn ı podm ınky:

Optim alne prev adzkov e podm ınky:

Optimal operating conditions:

PL: temperatura.: od -25°C do +60°C

wilgotno c: <85% ci nienie: 690-1060 hPa

CZ: teplota: od -25°C do +60°C

vlhkost: <85% tlak: 690-1060 hPa

SK: teplota: od -25°C do +60°C

vlhkost: <85% tlak: 690-1060 hPa

EN: temperature: from -25°C do +60°C

humidity: <85% pressure: 690-1060 hPa